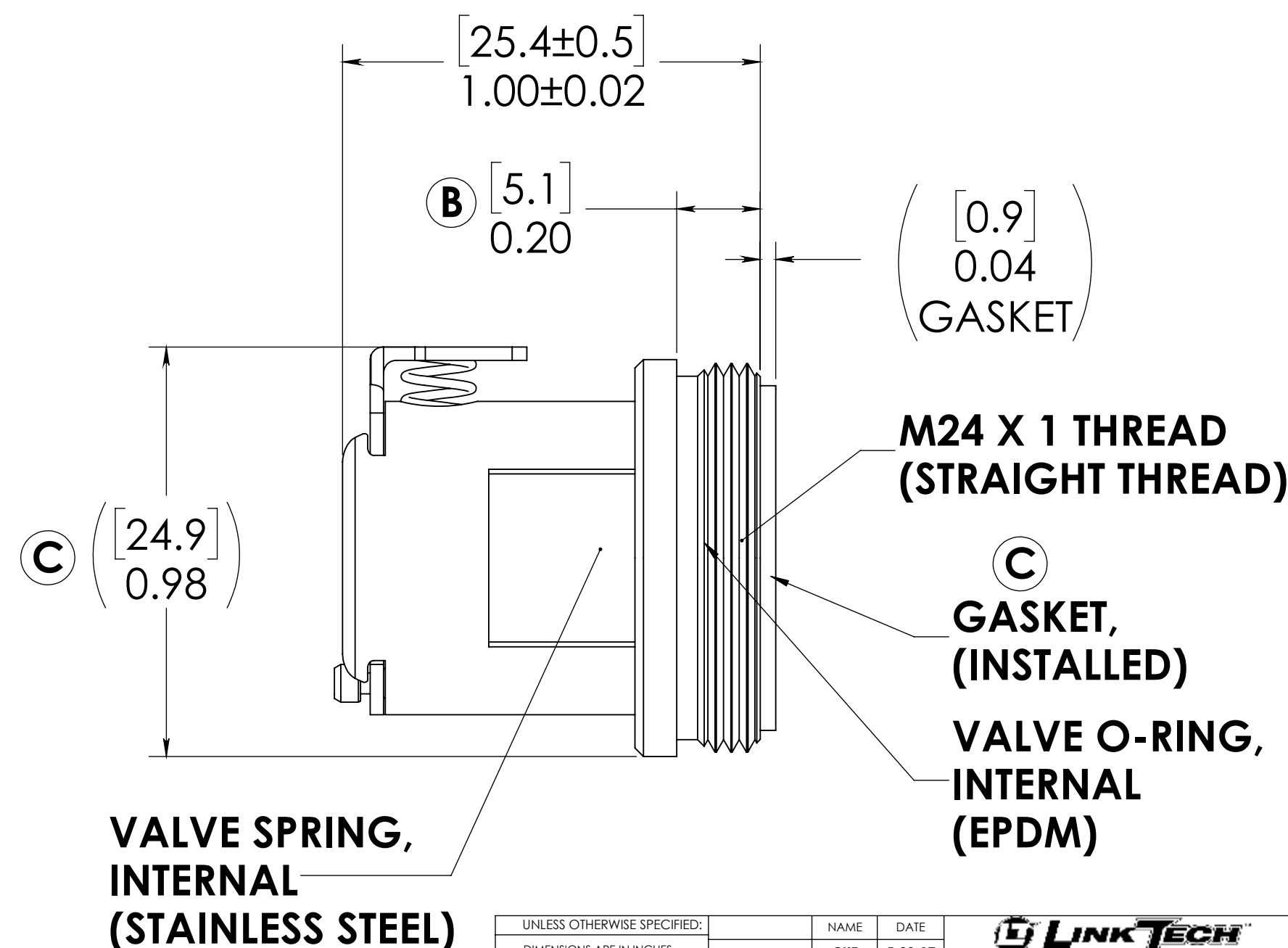
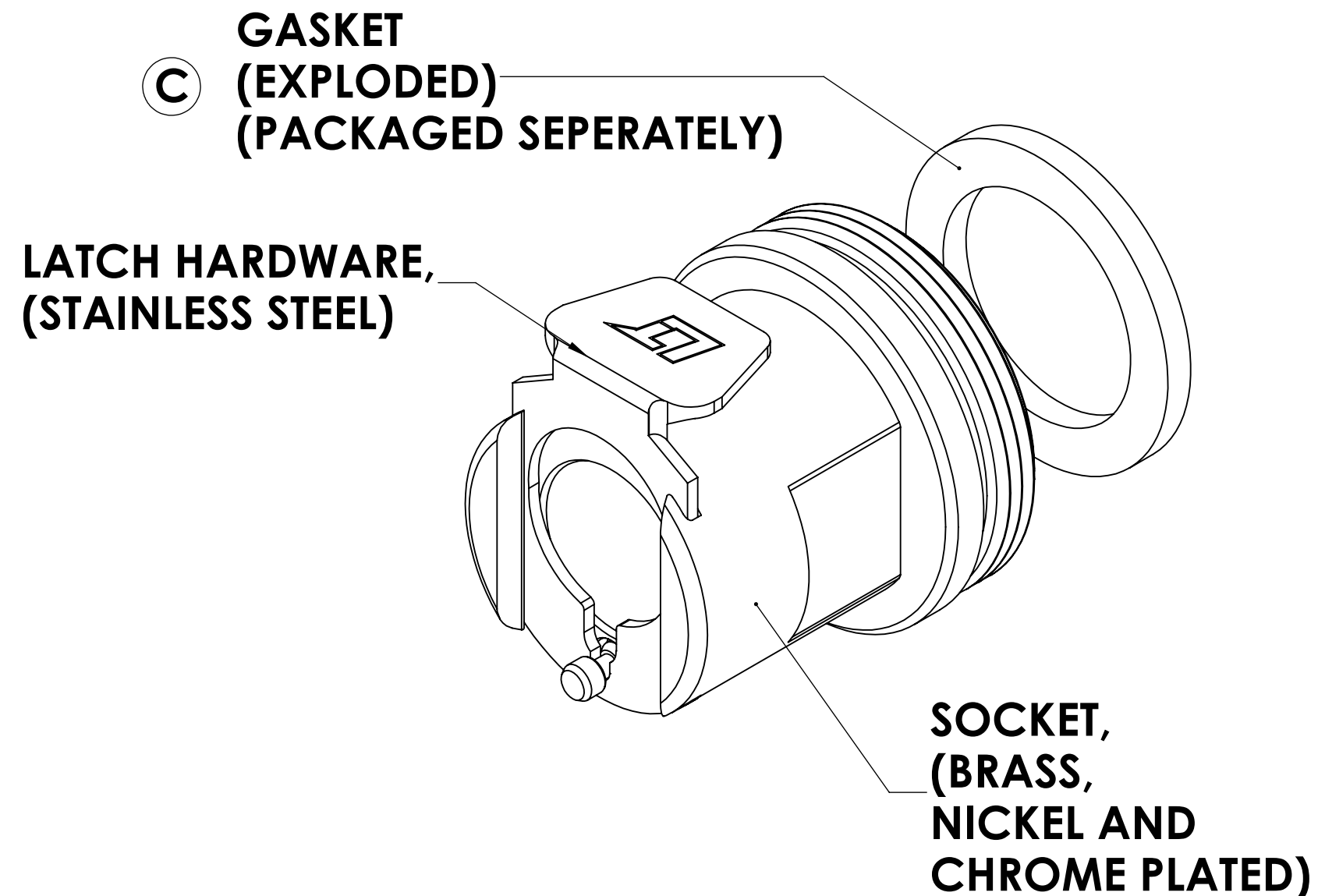
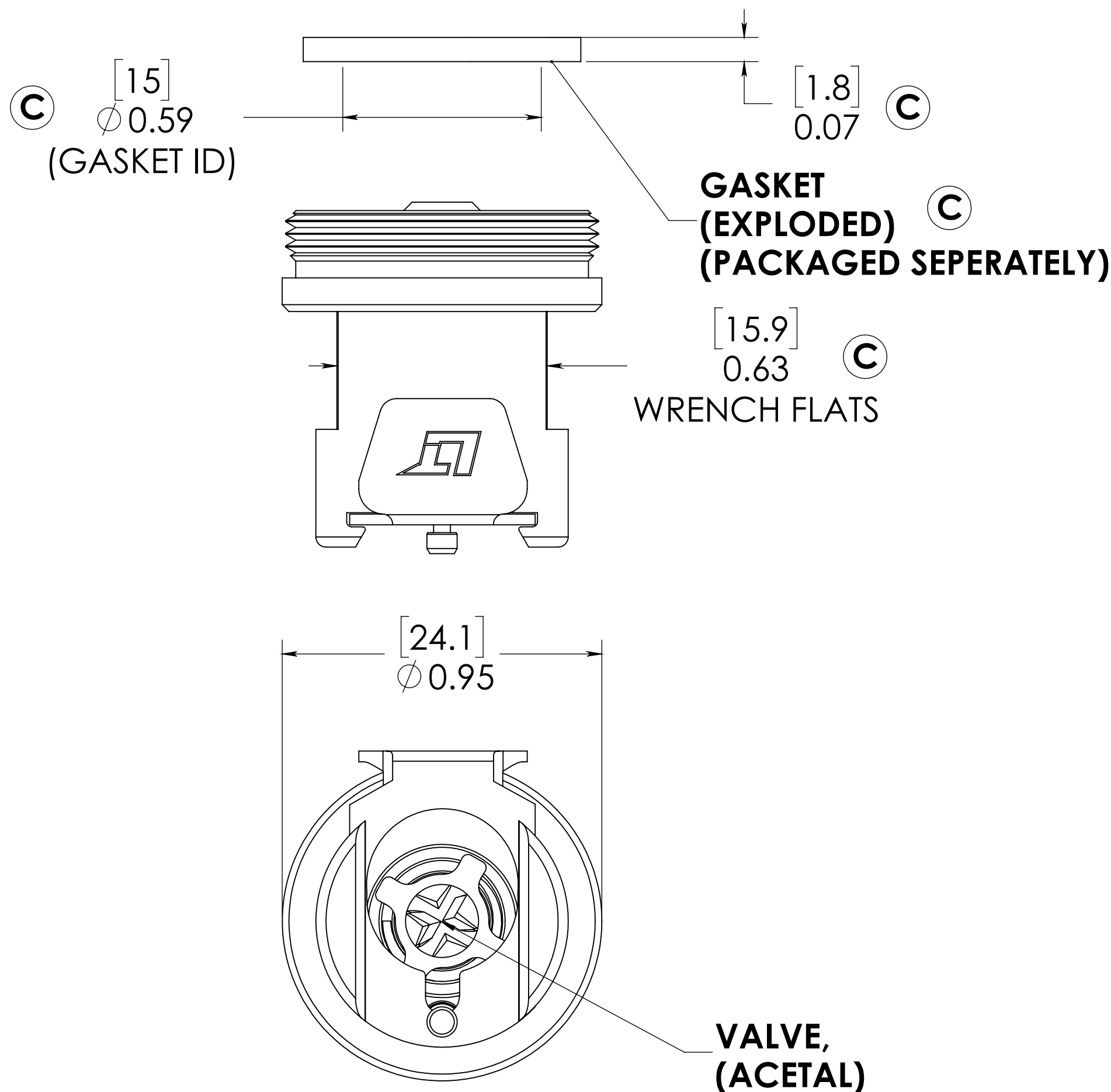


**NOTES:**

1. MATERIAL: BRASS, NICKEL AND CHROME PLATED
2. COLOR: NATURAL
3. O-RING MATERIAL: EPDM
4. O-RINGS LUBRICATED WITH FOOD GRADE SILICONE OIL, 350 CST.
5. GASKET MATERIAL: EPDM
6. SOCKET INTERCONNECTS WITH INDUSTRY STANDARD 1/4" FLOW CONNECTORS. SEE INTERCONNECT GUARANTEE ON LINKTECH WEBSITE.

REVISIONS					
SHEET	ZONE	REV.	DESCRIPTION	DATE	APPROVED
-	-	A	INITIAL RELEASE	5/30/2017	HRC
1	C-4	B	ADDED THREAD HEIGHT DIMENSION	9/28/2017	CKE
		C	UPDATE LABELS AND DWG FORMAT	11/1/2017	CKE



APPROVED BY: \_\_\_\_\_

TITLE: \_\_\_\_\_

DATE: \_\_\_\_\_

SIGNATURE: \_\_\_\_\_

<small>UNLESS OTHERWISE SPECIFIED:          DIMENSIONS ARE IN INCHES          TOLERANCES:          FRACTIONAL ± 1/32          ANGULAR: MACH ± 0.5 BEND ± 2          ONE PLACE DECIMAL ± 0.1          TWO PLACE DECIMAL ± 0.01          THREE PLACE DECIMAL ± 0.005          TWO PLACE DUAL (mm) ± 0.12</small>	<small>DRAWN</small> <b>CKE</b>	<small>DATE</small> <b>5-30-17</b>		
	<small>CHECKED</small> <b>HRC</b>	<small>DATE</small> <b>5-30-17</b>		<small>PART NO:</small> <b>40CB-S35271</b>
	<small>ENG APPR.</small> 			<small>DESCRIPTION:</small> <b>SOCKET CUSTOMER APPROVAL DRAWING</b>
	<small>MFG APPR.</small> 			<small>SIZE DWG. NO. REV</small> <b>C LT800972 C</b>
<small>PROPRIETARY AND CONFIDENTIAL</small> <small>THE INFORMATION CONTAINED IN THIS DRAWING IS THE SOLE PROPERTY OF LINKTECH LLC. ANY REPRODUCTION OR DISCLOSURE IN PART OR AS A WHOLE WITHOUT THE WRITTEN PERMISSION OF LINKTECH LLC IS STRICTLY PROHIBITED.</small>	<small>Q.A.</small> 		<small>SCALE: NTS WEIGHT: SHEET 1 OF 1</small>	